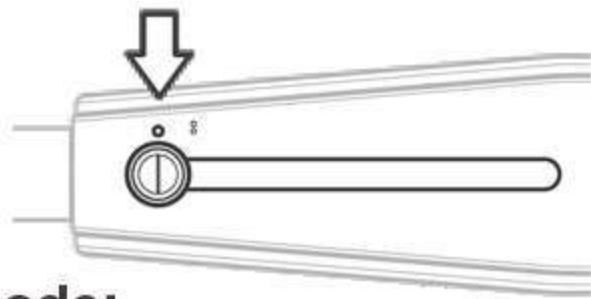


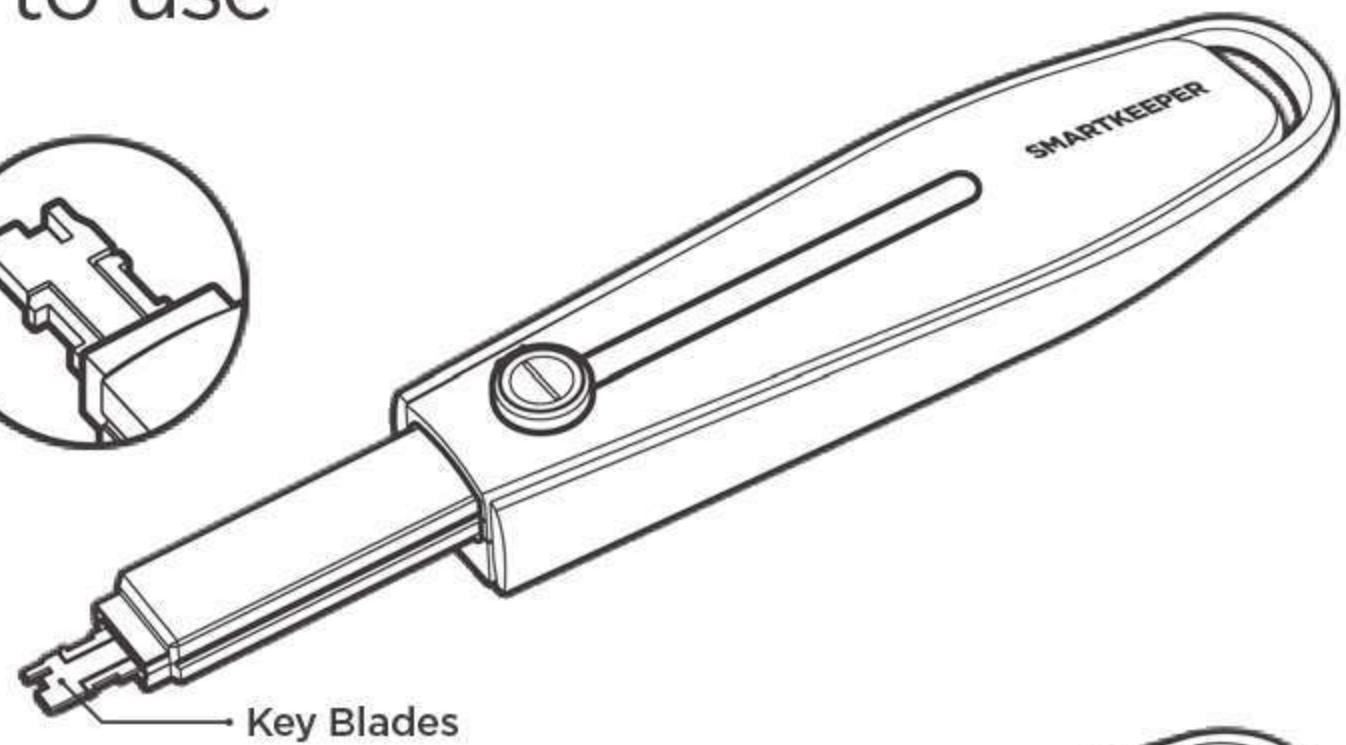
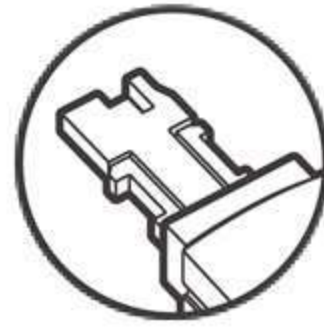
# Universal Lock Key 3 How to use

①

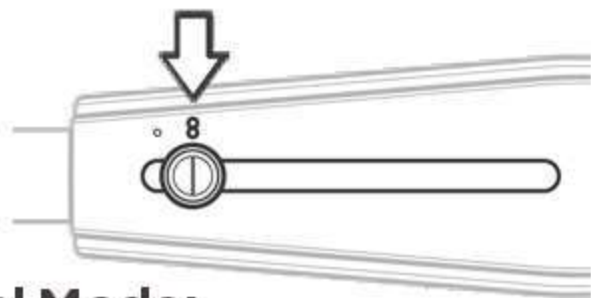


## Insert Mode:

Slide the button completely forward and insert/release the key into the lock.

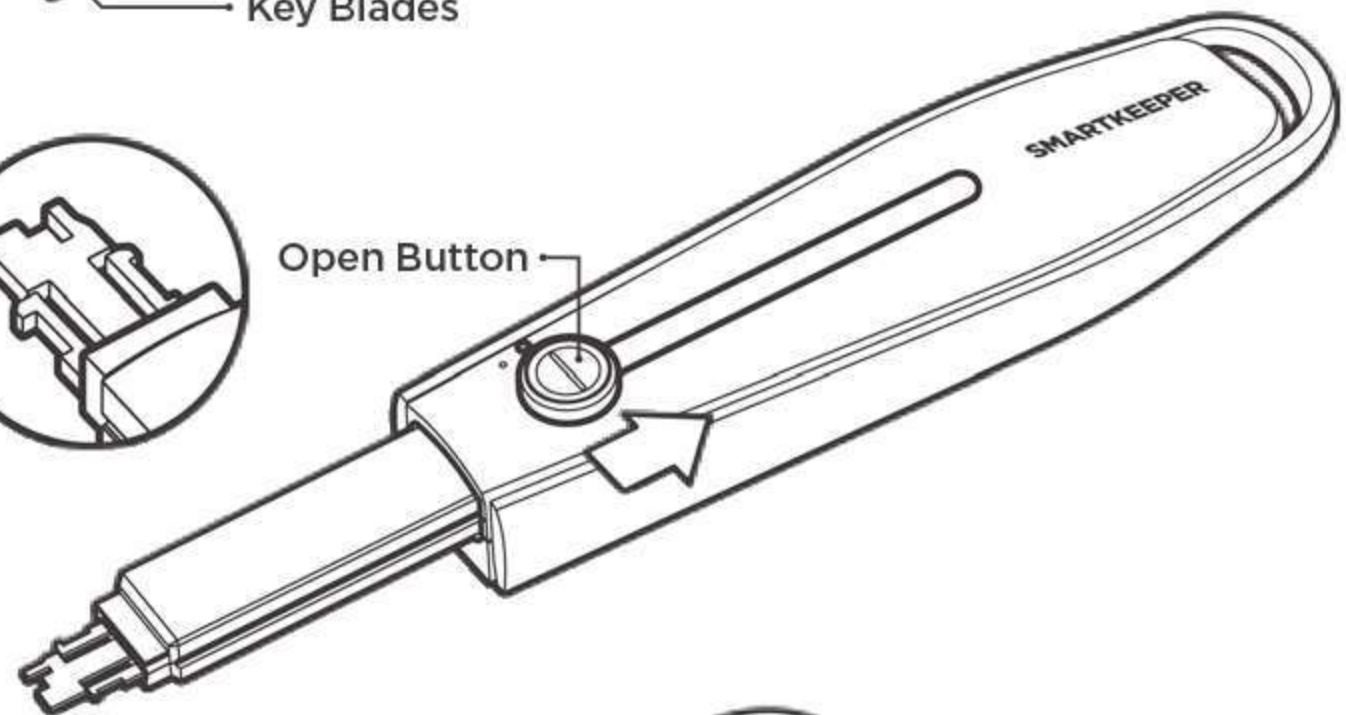
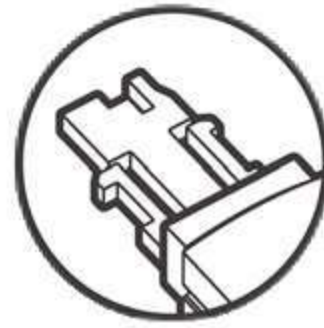


②

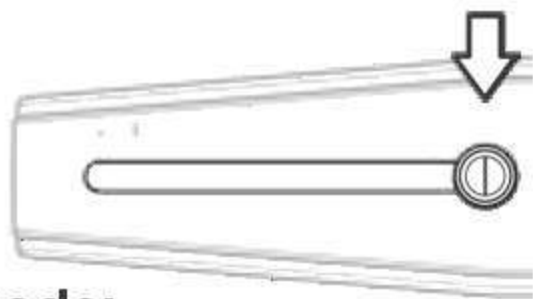


## Retrieval Mode:

Slide the button backward to engage the lock for removal and pull out the key.

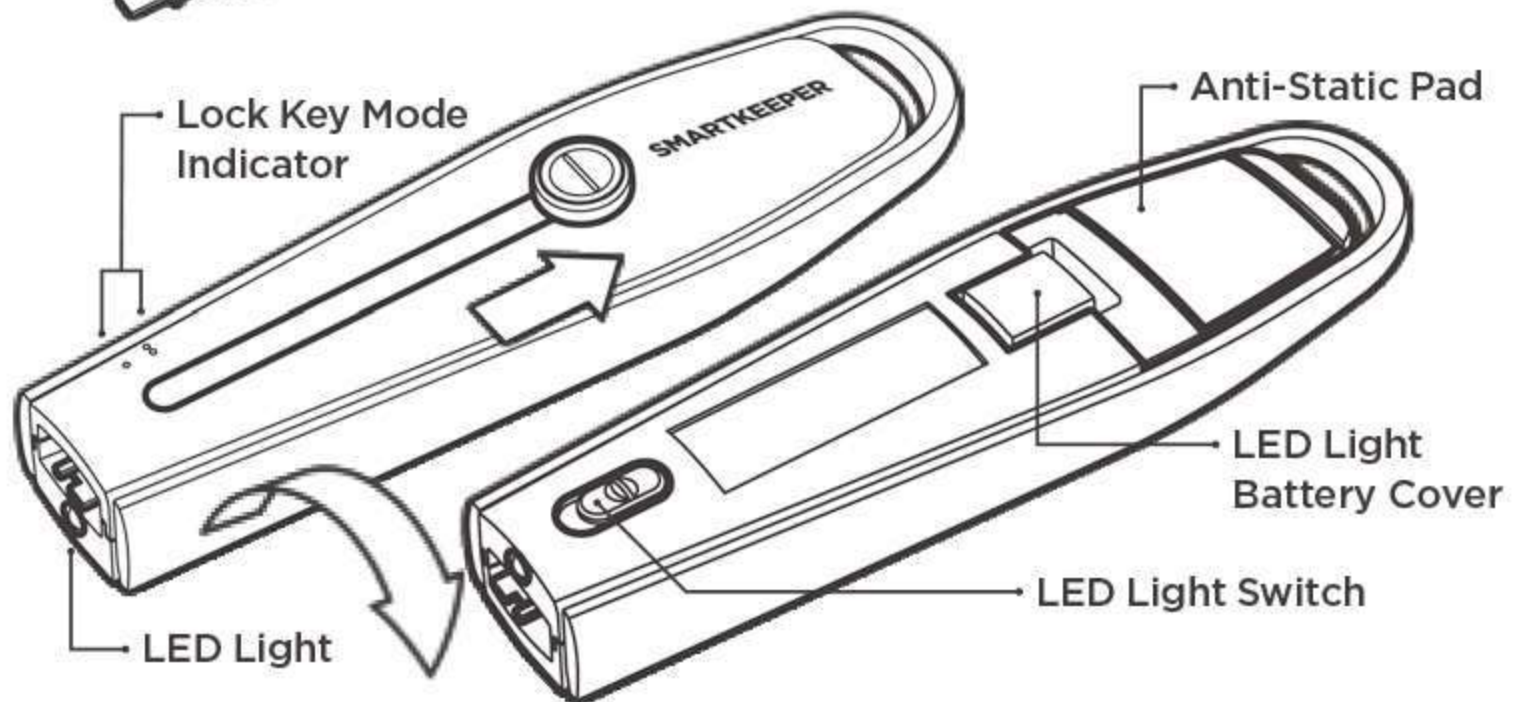


③



## Storage Mode:

(When don't use) To protect the key header, Slide the button completely backward.



## ⚠ Caution

- Make sure that the key is carefully and fully engaged before removing lock.
- Be careful of sharp key blades. (Put the key blades into storage mode not in use.)

## ❓ Note

- The manufacturer or vendor is not responsible for any inability to check the serial number.